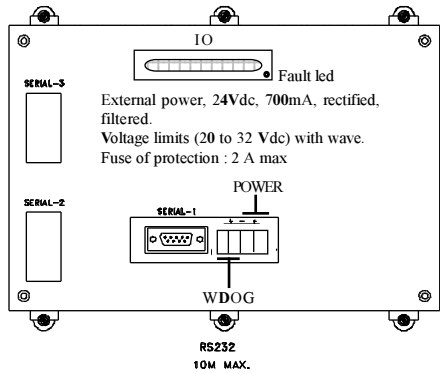


Connection :

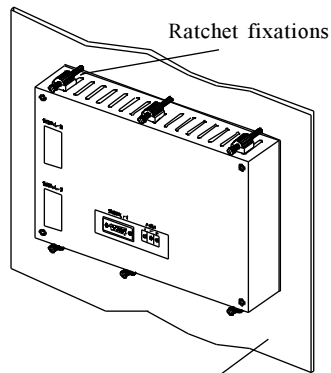


SERIAL-1 SUBD 9PTS MALE		OPTIONAL SERIAL-2 SUBD 9PTS FEMALE			OPTIONAL SERIAL-3 SUBD 9PTS FEMALE			IO SUBD 25 PTS FEMALE					
PIN	RS232	PIN	RS422	RS485	CANBUS	PIN	PIN	PIN	PIN	PIN	PIN	PIN	PIN
1		2				1	INP 1	14	INP 7	2	INP 2	15	INP 8
2	RXD	3	RX-			3	INP 3	16	INP 9	4	INP 4	17	INP 10
3	TXD	4	RX+			4	INP 4	17	INP 10	5	INP 5	18	INP 11
4		5	GND	GND	GND	6	INP 6	19	INP 12	6	INP 6	19	INP 12
5	GND	6				7	0 V	20	OUT 5	7	0 V	20	OUT 5
6		7	TX-	TRX-(B)	CANL	8	OUT 1	21	OUT 6	8	OUT 1	21	OUT 6
7		8	TX+	TRX+(A)	CANH	9	OUT 2	22	OUT 7	9	OUT 2	22	OUT 7
8		9				10	OUT 3	23	OUT 8	10	OUT 3	23	OUT 8
9						11	OUT 4	24	0 V	11	OUT 4	24	0 V
						12	+24 V	25	0 V	12	+24 V	25	0 V

With RS422, RS485, and CAN module, jump of validation for final resistances (120Ω).
By default : Selected resistance.

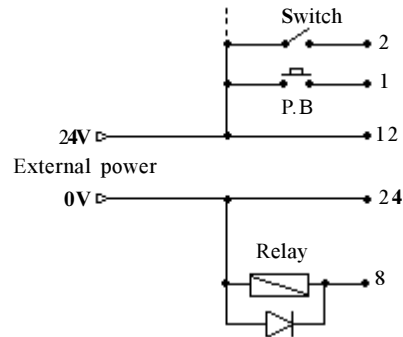
pin 7, 24, 25 :
internal connection
pin 12, 13 :
external connection

Mounting :



The panel surface must be flat and rigid to ensure tightness

Connect input/output example



Personnalisable labels :

F7 to F12 keys can be personnalisable.

Use personnalisable blank pre-coutlabel supplied and write new informations.

- Open behind panel
- Remote label already placed down left.
- Introduce new label and close behind panel.

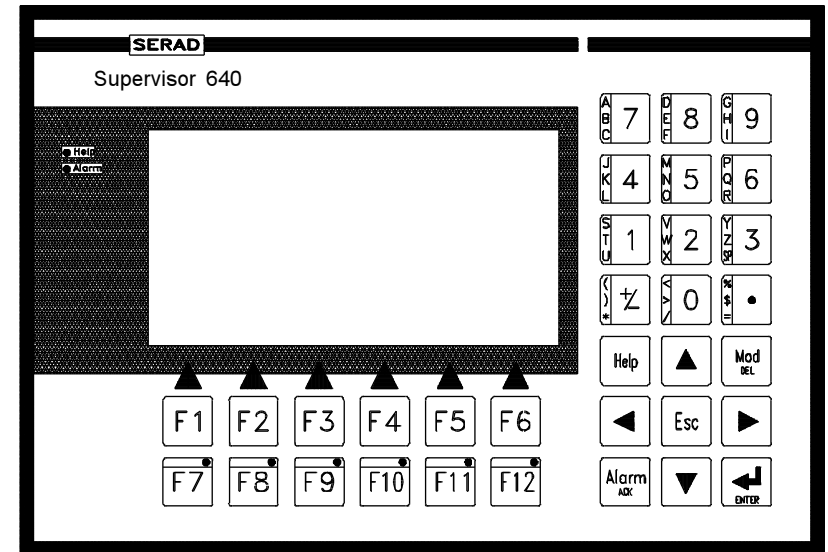
CAUTION !! Turn off all power supplying of this equipement.

We reserve ourselves the right for modified this document without notice.

OPERATOR TERMINAL

SUPERVISOR 640

INSTALLATION GUIDE



SERAD S.A
271 Route des crêtes
44440 TEILLE - FRANCE

Phone : 33.2.40.97.24.54
Fax : 33.2.40.97.27.04
E-Mail : info@serad.fr

Display :

- Monochrome LCD display with CFL backlight
- Display area 122x66mm
- Standart display , reverse, flashing
- ASCII protocol
- Resolution (pixels) with graphic mode : 240x128
- 4 characters size with text mode can be simultaneously used :

3x4 mm 16 lines x 40 characters	4x7 mm 9 lines x 30 characters
12x20 mm 6 lines x 20 characters	16x22 mm 4 lines x 15 characters

Keyboard :

- 33 keys with tactile feelback
- 6 dynamic function keys, 6 windows for re-editing labels
- Control and scrolling keys, help key, alarm key
- Numerical and alphanumerical keypad
- 8 state visualization leds.
- Buzzer

Performances :

- 32 bits processor
- 1 Mbits flash memory, 512 Kbits non-volatile RAM
- Real-time clock
- Watch dog : (48VAC max, 2A max)
- RS232 serial communication port
- Optional RS422 or RS485 serial communication port
- Optional fieldbus : CANBUS.
- Optional output/input module :
 - 12 PNP type inputs, 20..33VDC input current per input : 12mA
 - 8 PNP type outputs, 24VDC protected, output current per output : 100mA
 - Add clamping diodes on inductive loads
 - Capacitive loads prohibited
 - If short circuit is detected, led fault switch on.
 - If a short circuit is detected, 24 V power supply must be shut down to restart module.

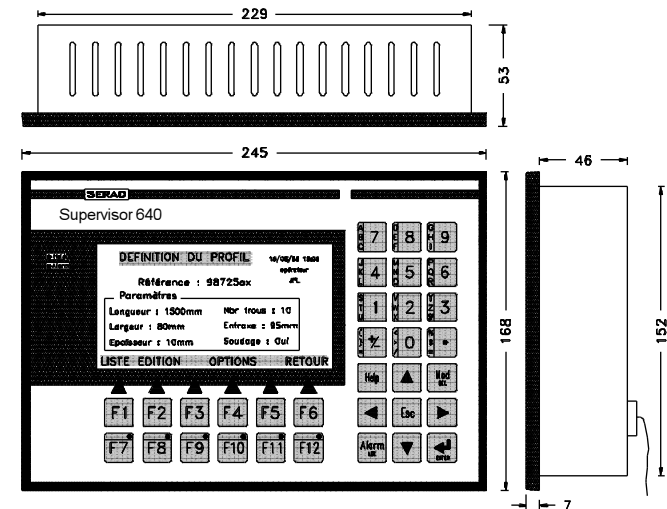
Technical features :

- Supply voltage 24Vdc, 15W power requirement
- 0 to 45°C operating temperature, storage -20 à 70°C temperature
- Front panel protection IP65

CAUTION

- This equipment must be installed only by qualified electrical personnel.
- Supply power 24 VDC, protected with a fuse 2 A max.
- Turn off power supplying this equipment before working on or inside equipment.

Dimension :



Panel cut-out :

